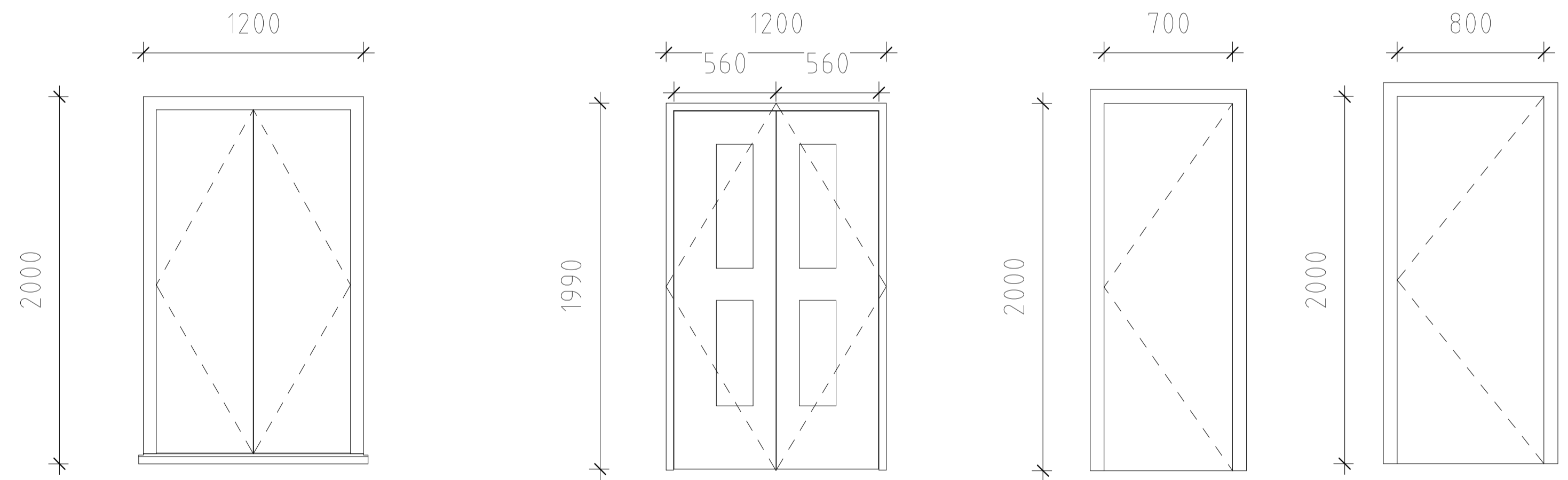


W1 - 11C7/4V8/6F8/11C7
STEEL SECTION - F7
18 No.

W2 - 12C9
ST. SECTN.-F7
4 NO.

W4 - 15C4/15F26/15C4
STEEL SECTN - F7
2 NO.

○ window schedule
1 : 20



D1 -
extrnl hrdwd timber door
dbl 3 lever mortice lock
55mm THK
Steel Door Frame
4 No.

D2 -
Intnl hollowcore flush door
dbl 2 lever mortice lock
44mm THK
Steel Door Frame
6 No.

D3 -
Intnl hollowcore flush dr
sngle 2 lever mortice lock
44mm THK
Steel Door Frame
48No.

D4 -
Intnl hollow core flush door
sngle 2 lever mortice lock
44mm THK
Steel Door Frame
20No.

○ Door schedule
1 : 20

DO NOT SCALE DRAWINGS

No.	Description	Date

MOH LGH
Proposed Hostel
Block

window/door schedules

Project number moh/wpho/cr/10

Date June 2010

Drawn by SP

Checked by Checker

WD 3

Scale 1 : 20